

**FAS**  
**RACCORDI FASCETTA ZINCATA**  
**PLATED SPLIT EYELET CONNECTORS**  
**UNIONES DE ABRAZADERA GALVANIZADA**

**Caratteristiche**

In acciaio zincato con corpo in ottone o acciaio inox.

**Completa di**

- Viti.
- Guarnizione.
- Corpo.
- ZVM6\*20 doppie.
- GUARNIZFAS1.
- OCORPO1FF.

**Characteristics**

In plated stainless steel with body in brass or SS303.

**Applications**

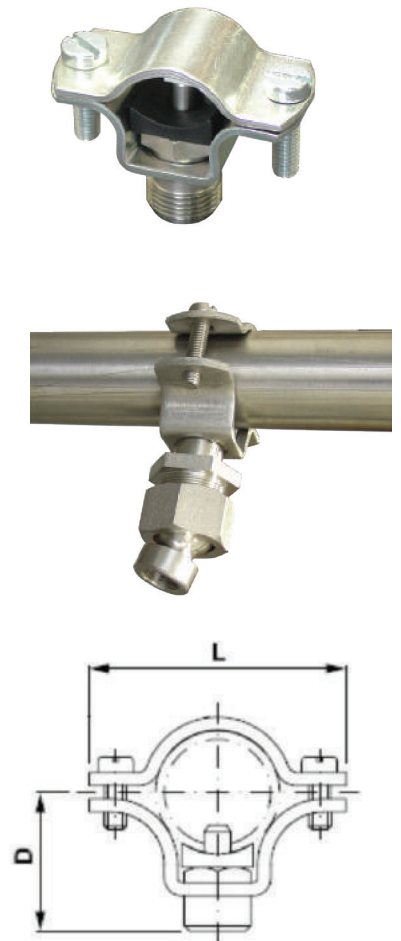
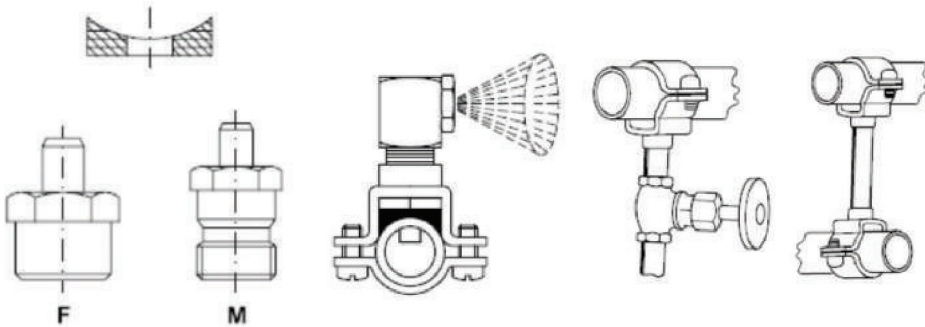
- Screw.
- Gasket.
- Body.
- Double.
- GUARNIZFAS1.
- OCORPO1FF.

**Características**

En acero galvanizado con cuerpo de latón o acero inox.

**Aplicaciones**

- Tornillos.
- Guarnicion.
- Cuerpo.
- Dobles.
- GUARNIZFAS1.
- OCORPO1FF.



Type	Outlet connector	Ø tubes	Ø Hole	Dimensions	
				L	D
1/2 X 1/8	1/8 F				
1/2 X 1/4	1/4 F	Ø 1/2			
1/2 X 3/8	3/8 M	Ø 20 + 22 Ø	7	50	30
1/2 X 11/16	11/16 M				
3/4 X 1/8	1/8 F				
3/4 X 1/4	1/4 F	3/4"			
3/4 X 3/8	3/8 M	Ø 25 + 27 Ø	7	50	33
3/4 X 11/16	11/16 M				
1 X 1/8	1/8 F				
1 X 1/4	1/4 F	1"			
1 X 3/8	3/8 M	Ø 30 + 35 Ø	7	60	30
1 X 1/2	11/16 M				
1 1/4 X 1/8	1/8 F				
1 1/4 X 1/4	1/4 F	1 1/4"			
1 1/4 X 3/8	3/8 F	Ø 40 + 45 Ø	17.5	72	40
1 1/4 X 1/2	1/2 F				
1 1/2 X 1/8	1/8 F				
1 1/2 X 1/4	1/4 F	1 1/2"			
1 1/2 X 3/8	3/8 F	Ø 45 + 51 Ø	17.5	86	43
1 1/2 X 1/2	1/2 F				
2 X 1/8	1/8 F				
2 X 1/4	1/4 F	2"			
2 X 3/8	3/8 F	Ø 54 + 60 Ø	17.5	96	45
2 X 1/2	1/2 F				